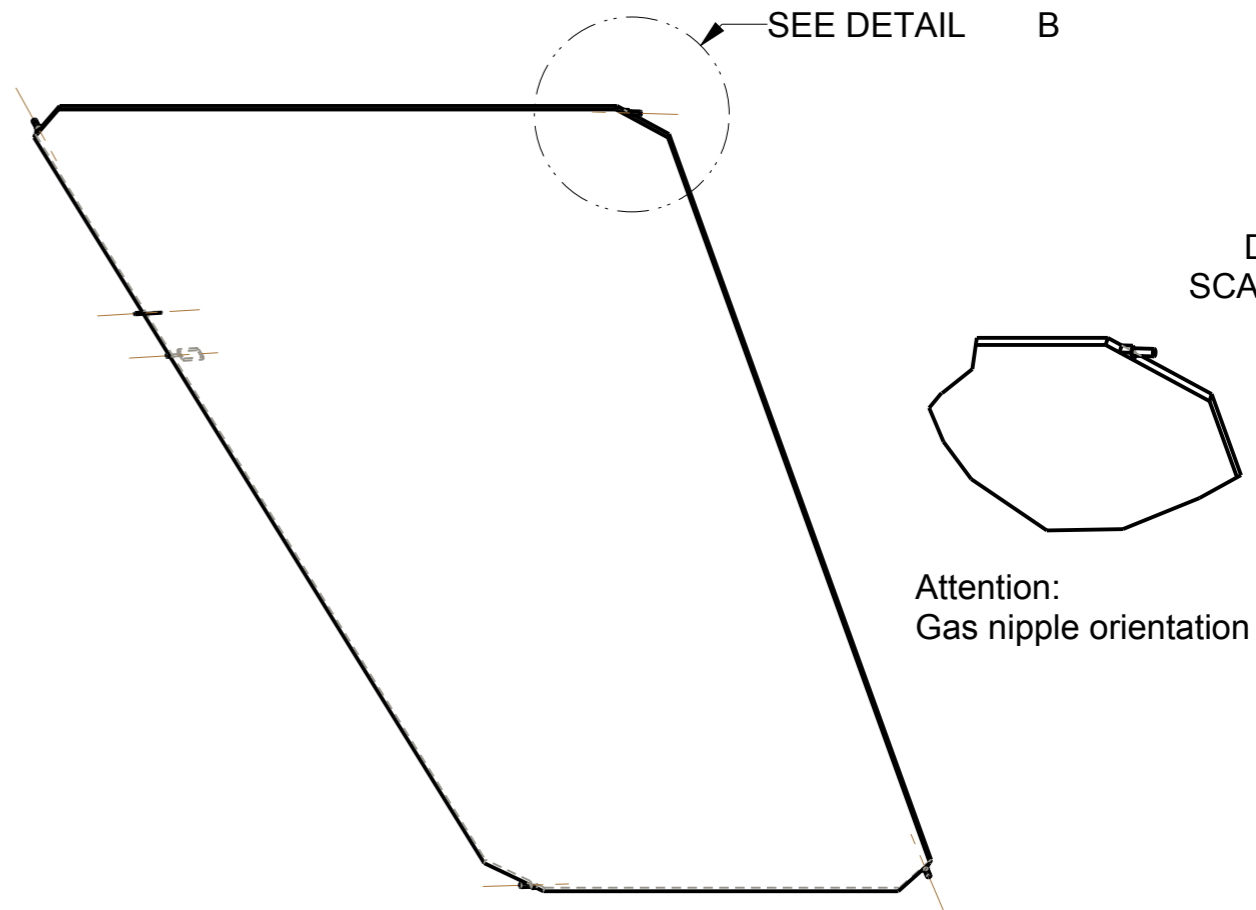
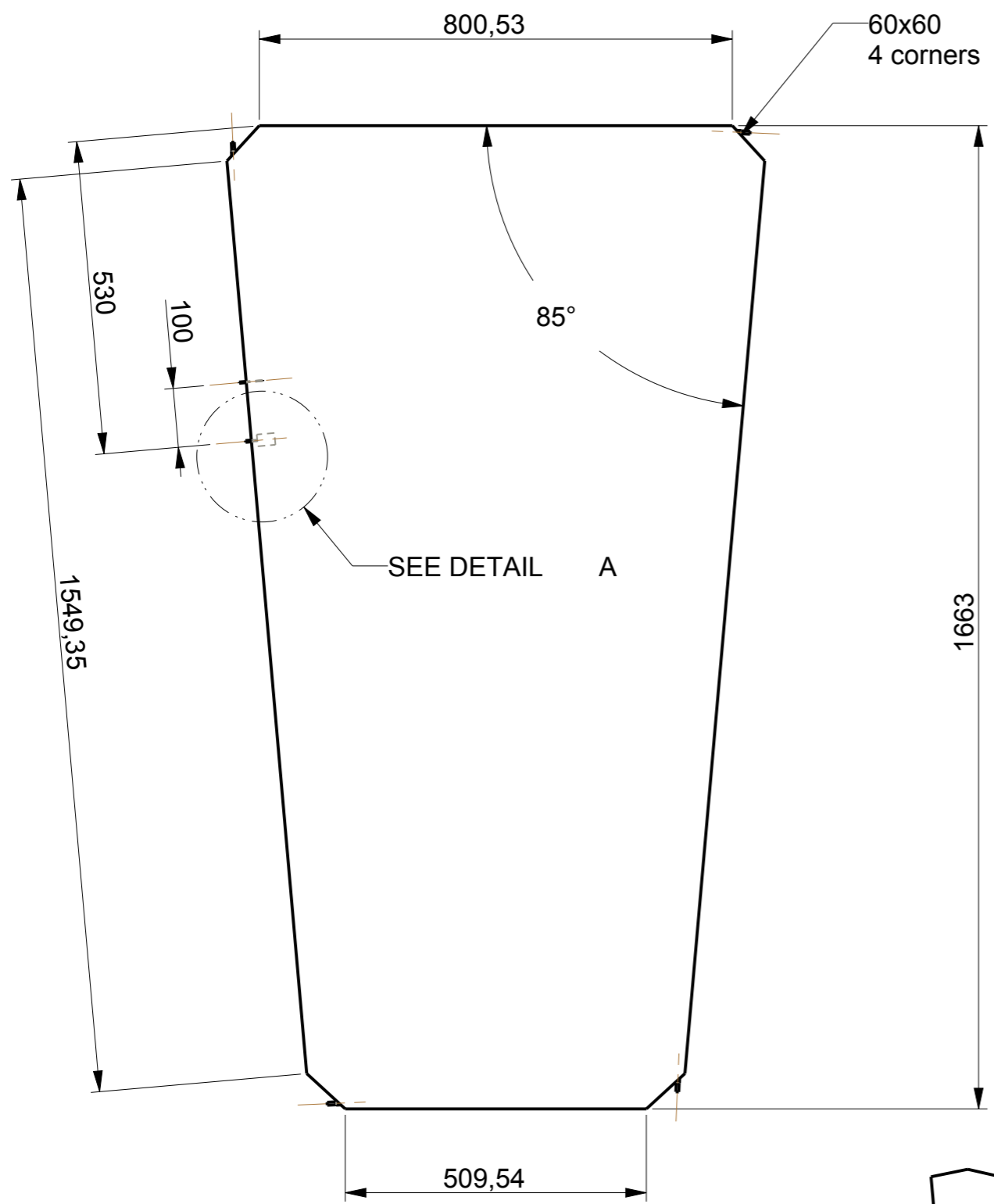
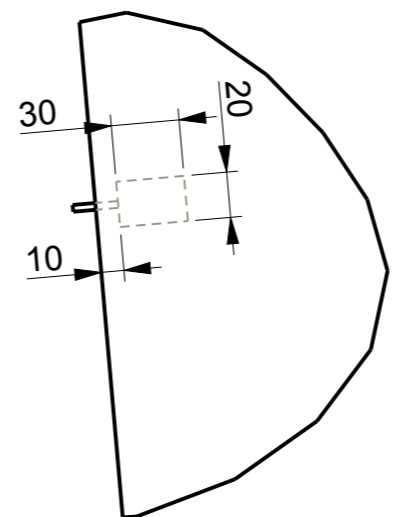


Thickness gasgap 6 mm



HV connector backplane
GRD connector frontplane



DETAIL A
SCALE 0,300

PLAN NR. RE4-Ring2-008	REPLACE:	SCALE: 1/10
Design by: Luc Van Lancker	Verify by: LVL	Datum: 23-June-2010
TITLE: GasgapRE4-Ring2-Bottom	ASSEMBLY: RPC-RE4-Ring2	ISO-SYMBOL: ◎

VUB DEPT:ELEM
PLEINLAAN 2 - 1050 BRUSSEL
TEL:32-2-6293231
FAX:00-32-2-6293816



Vrije
Universiteit
Brussel